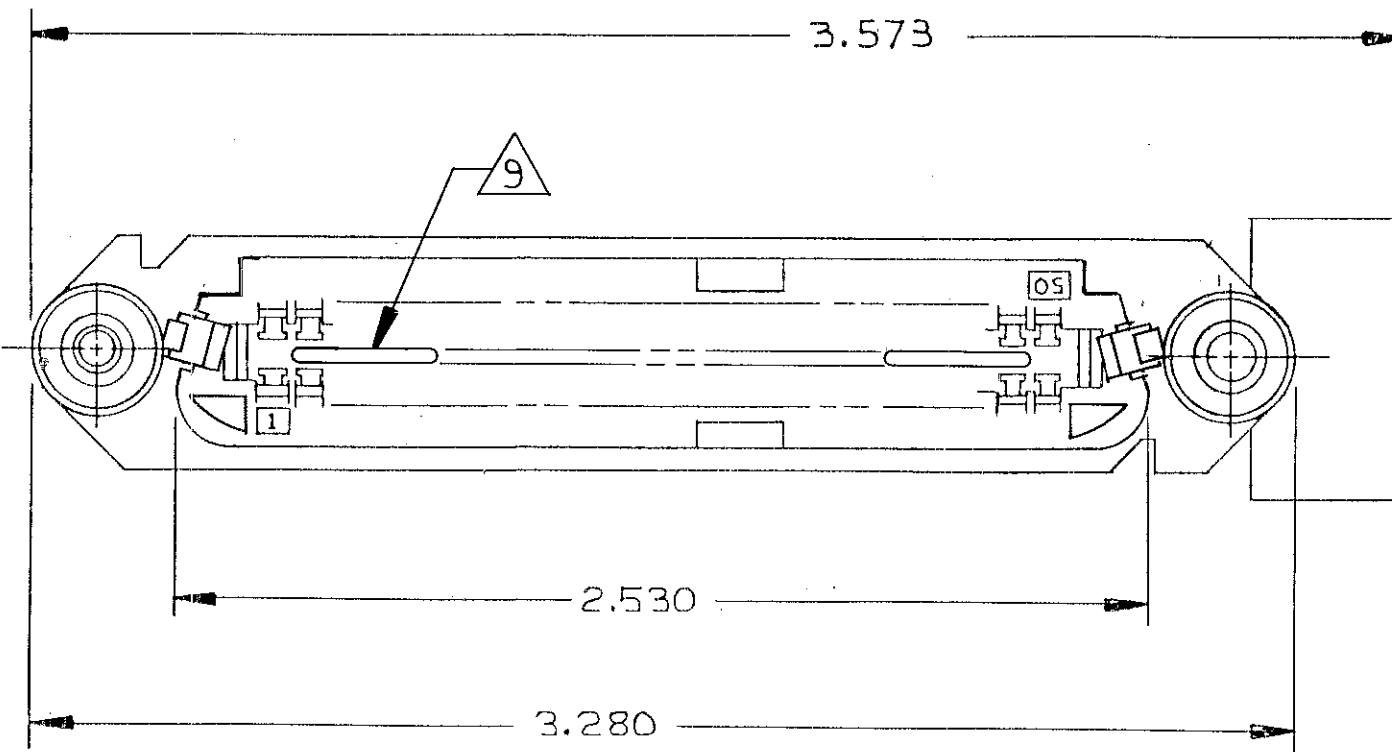
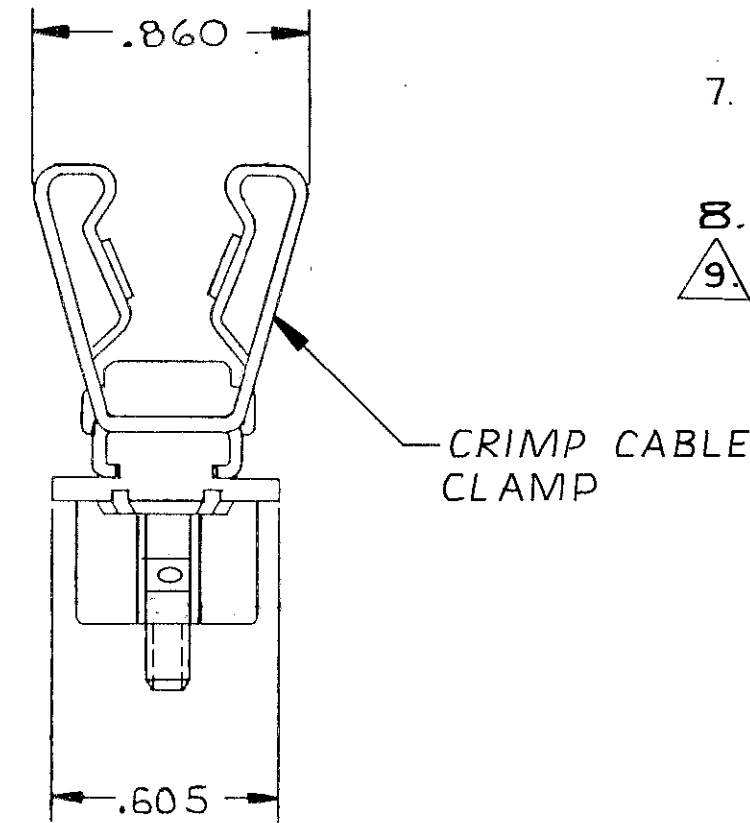
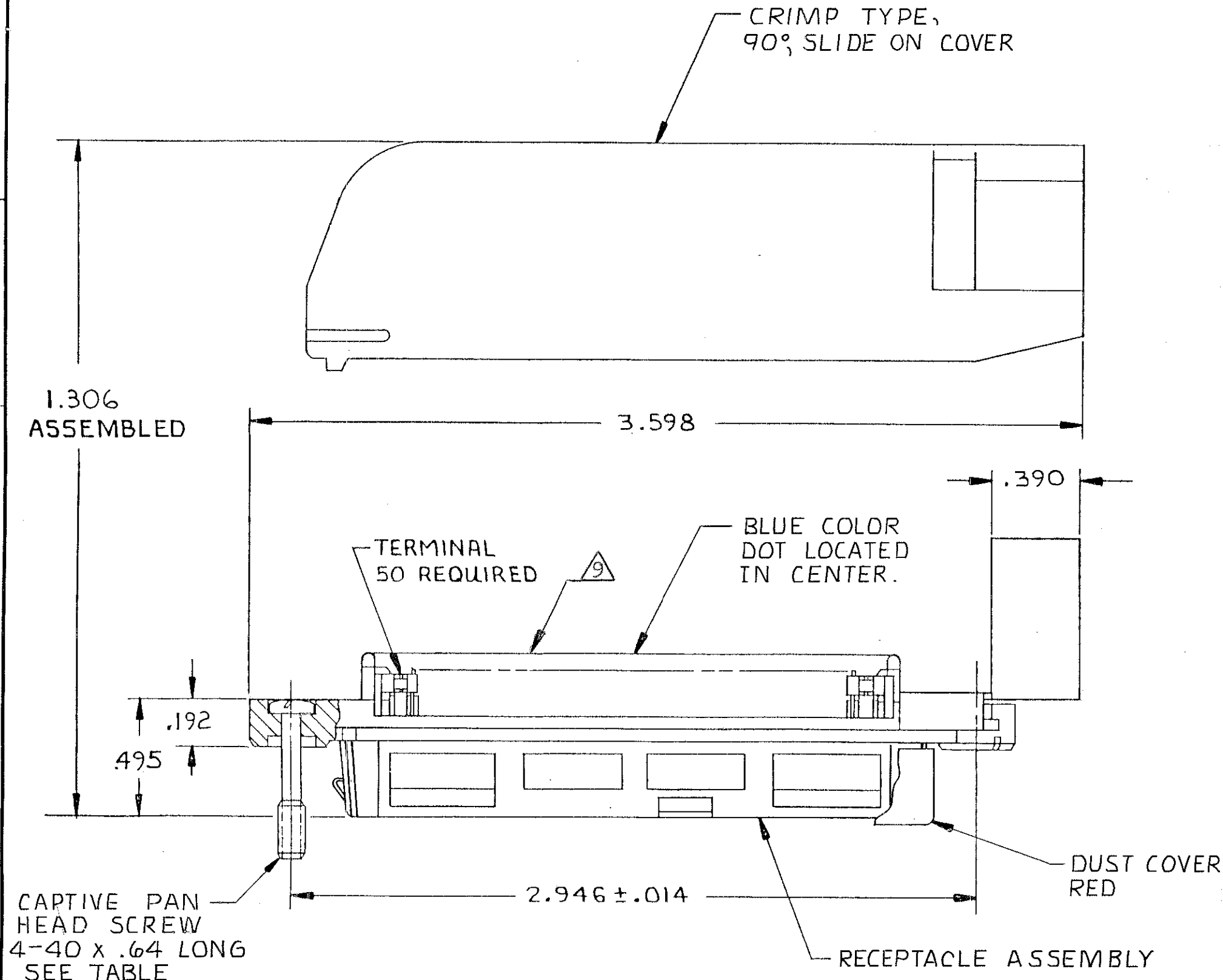


THIS DRAWING IS UNPUBLISHED. RELEASED FOR PUBLICATION, 19
© COPYRIGHT 19 BY AMP INCORPORATED, HARRISBURG, PA. ALL INTERNATIONAL RIGHTS RESERVED. AMP PRODUCTS MAY BE COVERED BY U.S. AND FOREIGN PATENTS AND/OR PATENTS PENDING.

REVISIONS				DATE	APPROVED
P	F	ZONE	LTR	DESCRIPTION	
				G REV; EC QUIC-0040-01	3-19-01 DD EB

1. THE CONTACT SURFACES OF THE TERMINALS ARE COATED WITH LUBRICANT.
2. MATERIAL: HOUSING & SLIDE ON COVER—POLYPHENYLENE. LATCH, CABLE CLAMP & SCREW — ZINC PLATED STEEL. TERMINAL—GOLD OVER NICKEL PLATED HIGH STRENGTH COPPER ALLOY. DUST COVER — POLYETHYLENE, RED.
3. WIRE SIZE: 24 & 26 AWG SOLID OR 24 AWG 7 STRANDS OF COPPER CONDUCTORS. MAX INSULATION DIAMETER OF .045 IS ACCEPTABLE FOR MOST APPLICATIONS.
4. CENTER TO CENTER SPACING OF TERMINALS IS .085 NOMINAL.
5. CABLE CLAMP & SCREW ARE ASSEMBLED TO CONNECTOR BEFORE SHIPMENT.
6. ALL DIMENSIONS ARE MAXIMUM UNLESS OTHERWISE SPECIFIED.
7. 90° COVER SHIPPED UNASSEMBLED WITH CABLE CLAMP UNCRIMPED.
8. KIT SHIPPED BULK PACKAGED.
9. CORING MAY OR MAY NOT APPEAR AND IS AT THE DISCRETION OF AMP INCORPORATED.



1	GRAY	554886-2
PANHD SCREW REQUIRED	COLOR	PART NO

UNLESS OTHERWISE SPECIFIED DIMENSIONS ARE IN INCHES. TOLERANCES ON: DECIMALS ± _____ ANGLES ± _____	CONTRACT NO		AMP INCORPORATED Harrisburg, Pa. 17105	
	DR B. Simson 9-4-85	NAME RECEPTACLE KIT, 50 POSITION, B SLOT, CRIMP TYPE W/ SCREW & 90° COVER, INTEGRAL LOCKING LATCH, CHAMP-LOK		
MATERIAL	CHK B. Fox 9-9-85	APPD J. Trammell 9/11/85	APPD W. K. Stuck 9/10/85	SIZE C
	FINISH	DSGN APPD	OTHER APPD	FSCM NO 00779
		DRAWING NO 554886		SCALE 2:1
			SHEET 1 OF 1	

554886